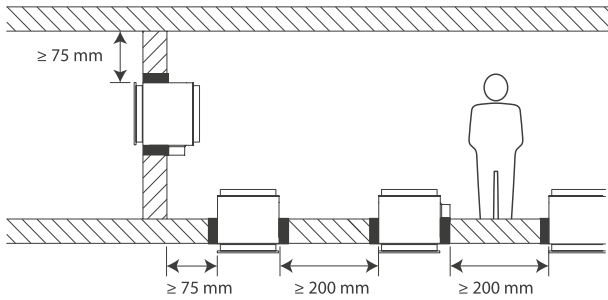


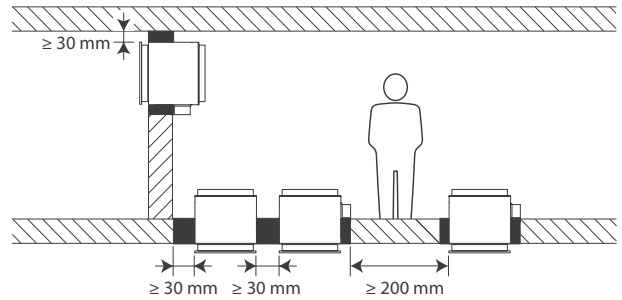
MINIMAL DISTANCES

CIRCULAR DAMPERS: CR60, CR60-1S, CR120, CR2

NORMAL INSTALLATION ACCORDING TO EN1366-2

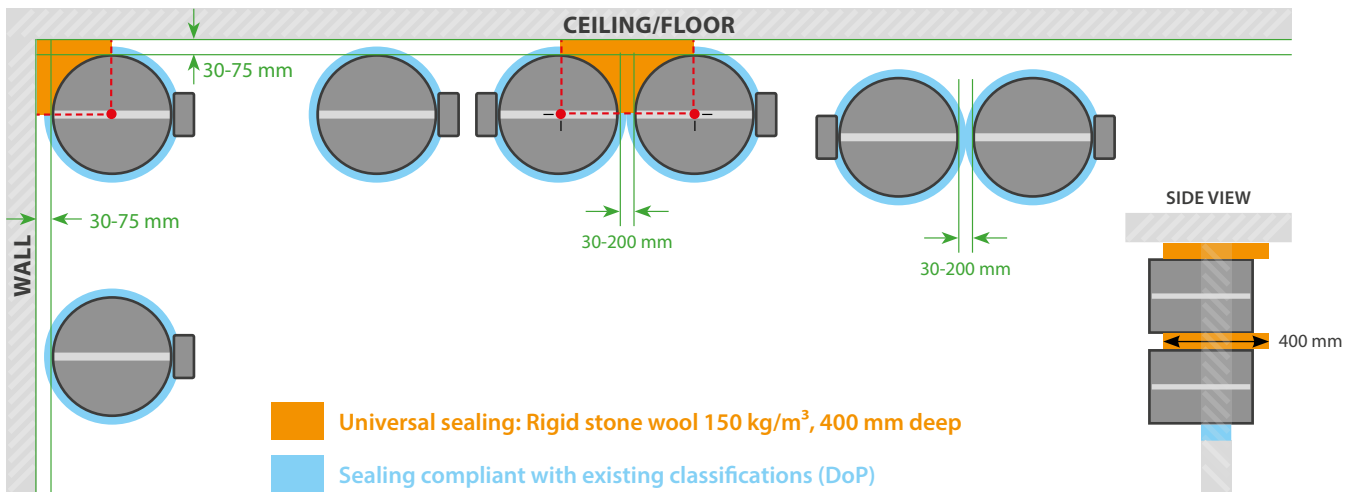


RF-T INSTALLATION WITH MINIMAL DISTANCES

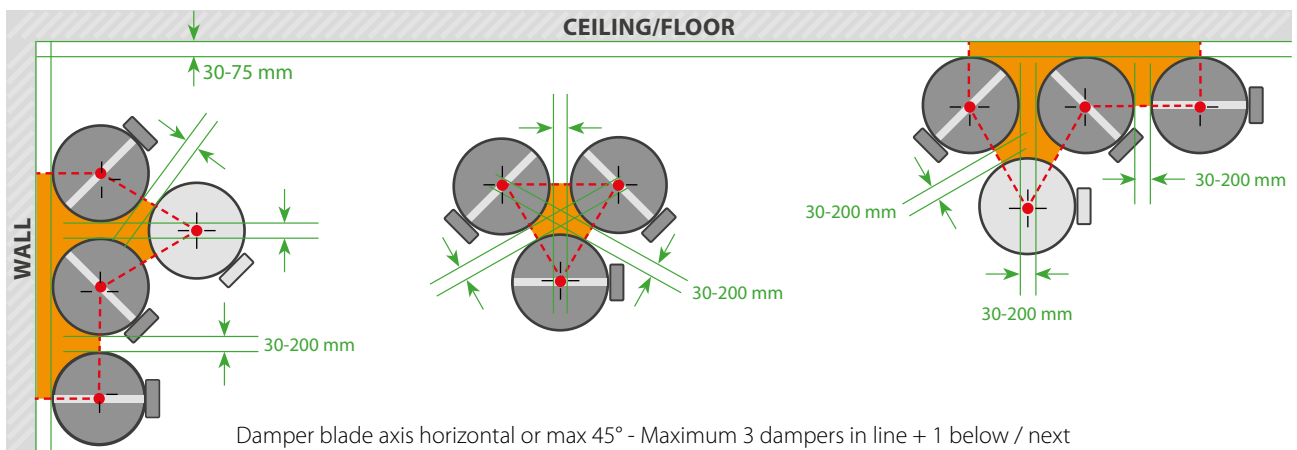


We use nominal dimensions (excl. frame).

BASIC INSTALLATIONS



SPECIAL INSTALLATIONS

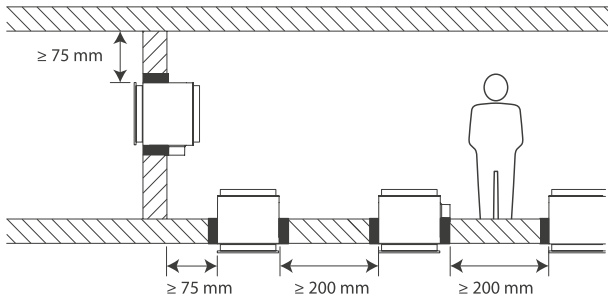


This applies to all our classifications in wall and floor (see our declarations of performance on www.rft.be/dop).

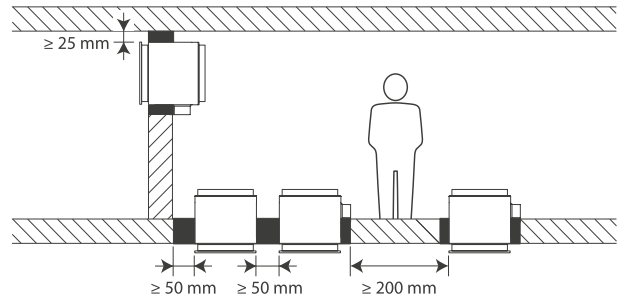
MINIMAL DISTANCES

RECTANGULAR DAMPERS: CU-LT, CU2

NORMAL INSTALLATION ACCORDING TO EN1366-2

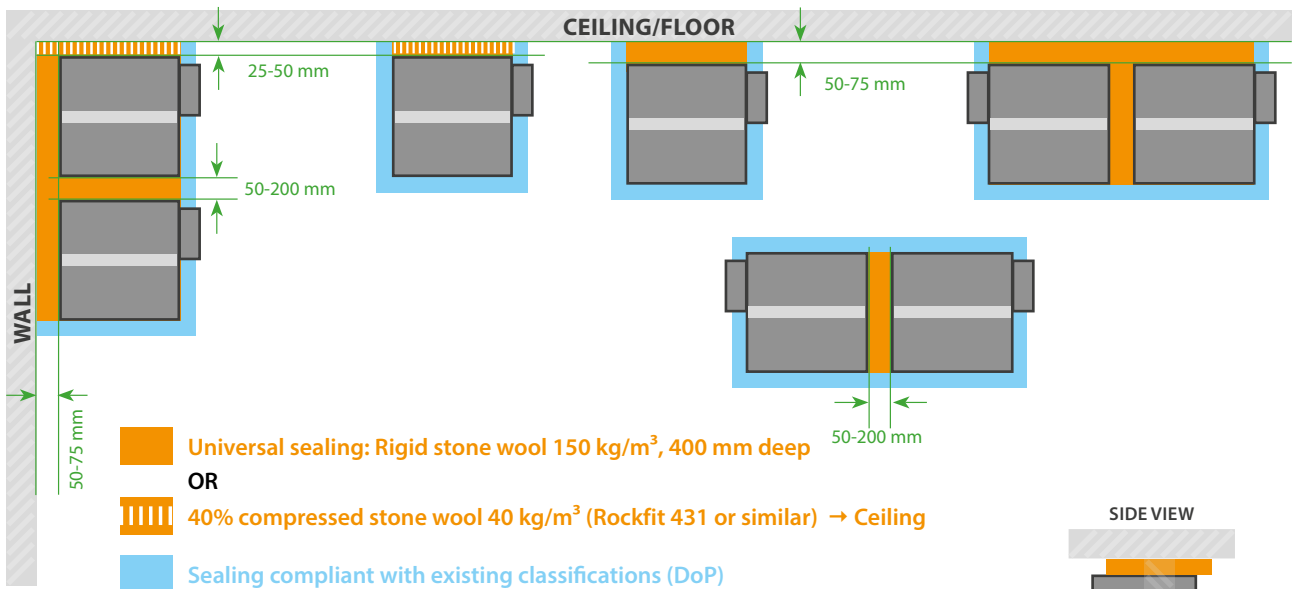


RF-T INSTALLATION WITH MINIMAL DISTANCES

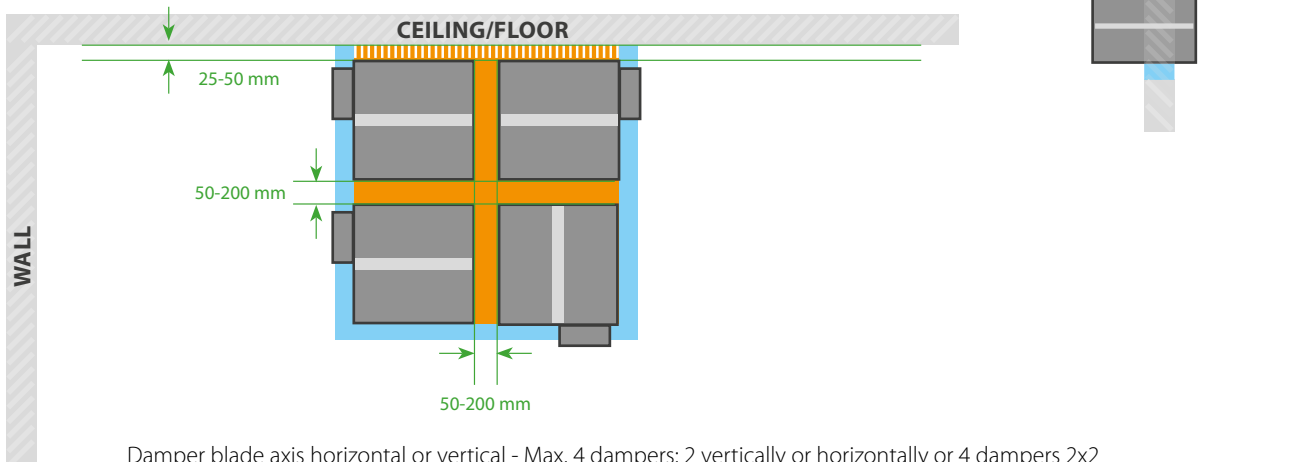


We use nominal dimensions (excl. frame).

BASIC INSTALLATIONS



SPECIAL INSTALLATIONS



This applies to all our classifications in wall and floor (see our declarations of performance on www.rft.be/dop).