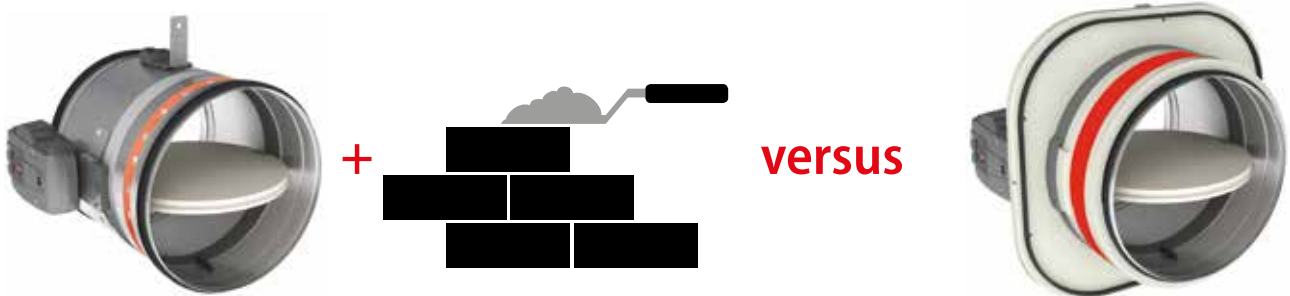


FIRE DAMPERS FOR SURFACE MOUNTING

Simplify your life ... while saving time and money!



Rf-Technologies offers two fire dampers for surface mounting:
the **CR60-1s** and the **CU-LT-1s**.



CR60-1s

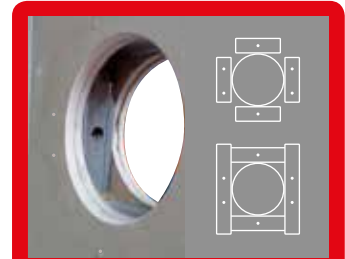
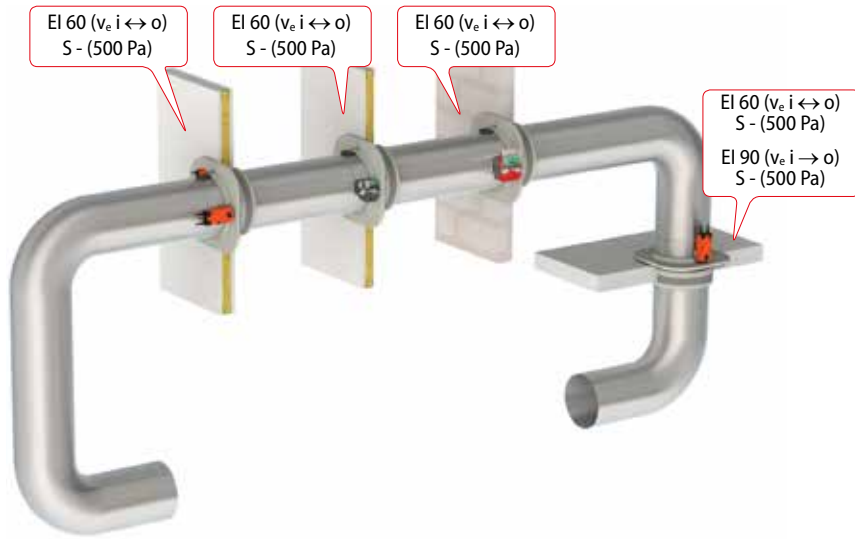


CU-LT-1s

The installation of these dampers requires **no sealing**, a feature that offers many advantages:

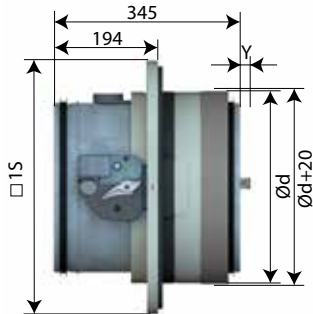
- ✓ **Minimal coordination** with builders of light walls
- ✓ **Easy to control** on the building site
- ✓ **No sealing budget**
- ✓ CR60-1s: **flexible mounting** in light wall

CR60-1s

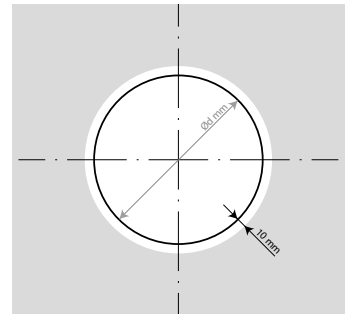


In a metal stud wall, a tailor-made framing of the opening with nested studs is not compulsory: simply drill the opening in the finished wall and insert 4 pieces of metal studs afterwards, where the fixing screws of the collar will be fastened. (For symmetrical walls only)

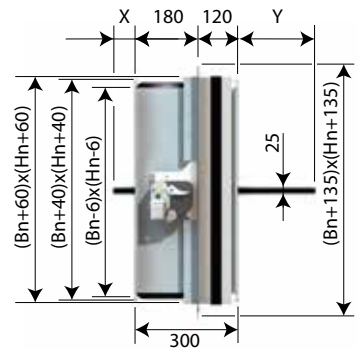
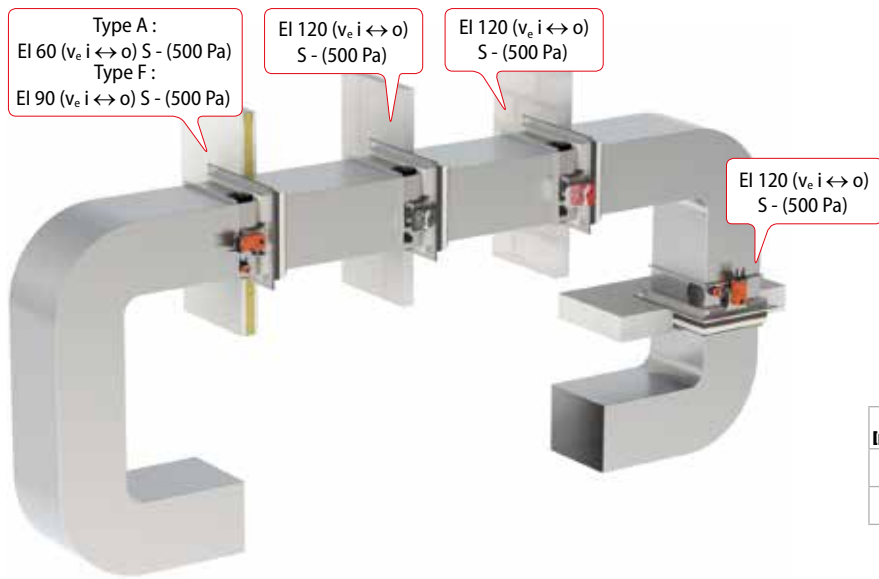
ØDn	□1s	Ød	Ø
100	279	160	180
125	299	180	200
160	339	220	240
200	374	255	275
250	419	300	320
315	474	355	375



ØDn (mm)	315
y	20



CU-LT-1s



Hn (mm)	150	200	250	300	350	400	450	500	550	600
x	-	-	-	-	-	-	-	17	42	67
y	2	27	52	77	102	127	152	177	202	227

C-1S-EN-A 01/2019

