



CLASSIFICATION REPORT n° EFR-19-005412 - Revision 1

According to standards EN 15650: 2010 and EN 13501-3: 2007

**Reference laboratory
assessment**

EFR-19-005412 - Revision 1

Regarding

A range of "CR120" type fire dampers installed in feed-through in walls or slabs or installed offset from walls

Operating vacuum pressure: -300 / -500 Pa

Sponsor

RF TECHNOLOGIES
Lange Ambachtstraat, 40
B - 9860 OOSTERZELE

This classification report supersedes classification report EFR-19-005412.

CHANGE HISTORY

Revision level	Date	Changes	Author
0	15/01/2020	- Document creation	RST
1	13/09/2021	<ul style="list-style-type: none">- Installation in a 200mm-thick aerated concrete wall- Installation in a flexible partition wall with a mortar seal- Update of the field of direct application of test results	CSC

1. INTRODUCTION

This classification report defines the classification assigned to a range of "CR120"-type fire dampers in accordance with the procedures set out in the standard EN 13501-3: 2007 "Fire classification of construction products and building elements – Part 3: Classification using data from fire resistance tests, on products and elements used in building service installations: fire resisting ducts and fire dampers" and in the standard EN 15650: 2010 "Ventilation for buildings. Fire dampers".

2. BODY

EFFECTIS France
Voie Romaine
F – 57280 MAIZIERES-LES-METZ

Notified body: 1812

3. SPONSOR

RF TECHNOLOGIES
Lange Ambachtstraat, 40
B - 9860 OOSTERZELE

4. REFERENCE TEST

- 12375A (WFRGENT)
- 12558 (WFRGENT)
- 16510A (WFRGENT)
- EFR-19-H-001108 (EFFECTIS France)
- 13 - H - 1021 (EFFECTIS France)
- 13 - U - 979 (EFFECTIS France)
- 09 - H - 478 (EFFECTIS France)
- 13450A (WFRGENT)
- 12376A (WFRGENT)
- EFR-16-J-000352
- 20782A

5. REFERENCE AND ORIGIN OF THE TEST SPECIMENS

Reference: CR120

Origin: RF TECHNOLOGIES
Lange Ambachtstraat, 40
B - 9860 OOSTERZELE

6. OVERALL PRINCIPLE

6.1. TYPE OF FUNCTION

The "CR120"-type damper is defined as a "fire damper". Its function is to resist fire as regards fire integrity, thermal insulation and leakage flow rates.

6.2. GENERAL POINTS

Each fire damper is composed of a tunnel, within which a horizontally- or vertically-mounted mobile blade pivots using an external mechanism and a transmission.

Approved fire dampers have flow cross-section dimensions of between Ø 100 mm and Ø 315 mm.

6.3. DETAILED DESCRIPTION OF THE ELEMENTS

6.3.1. Fire damper casing

The fire damper casing is composed of a galvanised steel duct with Ø (D-1) mm, 0.8 mm thick and 345 mm long.

Level with the fire damper blade, the perimeter of the casing is perforated with 40 x 3 mm holes, at 2.5 mm intervals over a width of 19.5 mm.

On the inside, the perforations are completely covered by graphite, self-adhesive, intumescent tape of dimensions 35 x 1.5 mm. A strip of self-adhesive PVC tape is placed on the outside of the fire damper casing.

Halfway up, the fire damper casing has two openings (Ø 9 and Ø 16 mm), which allow the hinge pin of the fire damper blade to pass through, and three openings (Ø 5.3 mm), which are used to fix the transmission housing using aluminium rivets (Ø 4.8 mm).

6.3.2. Blade

The fire damper blade is composed of a 20 mm-thick Promatect H panel fitted with a rubber seal on its entire circumference.

Two aluminium hinge pin brackets, with cross section dimensions of 30 x 18 mm, are fixed on the blade using two aluminium rivets (Ø x 4.8 mm). The blade pivots on a square steel hinge pin, with cross section dimensions of 5 x 5 mm. The pin rests on two POM (polyoxymethylene) bearings (Ø 15 x 9 mm), fitted in the wall of the fire damper casing.

6.3.3. Mechanism

The actuator is connected to the protruding pin of the transmission housing and is fixed using two bolts (M6 x 70 mm) to a steel section which is in turn connected to the fire damper casing.

The control mechanism is fully installed on the outside of the fire damper and is composed of the following elements:

- An actuator (9)
- A mounting profile (10)
- A transmission mechanism (11)
- A fusible link (12)

The actuator is fixed to the fire damper casing using two aluminium rivets (Ø 4.8 mm) via a steel mounting section (10). A transmission mechanism (11) is installed between the mounting section and the fire damper casing. This mechanism is protected by a plastic housing (13). The transmission mechanism is connected to the fire damper's hinge pin (7).

A fusible link (12) is fixed perpendicularly to the position of the actuator on the fire damper casing using a steel corner bracket (14). A plastic housing (15) is fitted to this corner bracket and fixed to the fire damper casing using a single blind rivet through the corner bracket. The fusible link is fixed to the corner bracket using two steel screws (\varnothing 3.5 mm). The fuse, which is connected to the fusible link, is located on the inside of the fire damper casing.

When under power, the actuator puts the blade in the open position. An internal torsion spring is tensioned at the same time.

If the power is cut or the fuse functions, the internal spring shuts the fire damper.

6.3.4. Kit / option 1S

The dampers can be equipped with a fixing collar 1S, composed of two glass fiber reinforced plaster shells (manufacturer: GEOSTAFF, material: MC6 from BPB PLACO).

The two shells are mounted around the damper tunnel previously coated with FIRECRYL FR (Soudal) put at the level of the damper blade, outside the valve. FIRECRYL FR is applied in two cords positioned at the edge of the PVC strip over the entire periphery of the damper. Between these two cords, FIRECRYL FR is applied in a zigzag pattern on the PVC strip.

The two shells are fixed to each other using two layers of self-adhesive PVC strips with a width of 50 mm.

The periphery of this plaster reinforcement is also provided with two intumescent graphite strips of type EX147 (RFT) 2 mm thick and 30 mm wide fixed with steel clips, width 6 mm.

The seal between the collar and the damper is made using EPDM foam of section 8 x 5 mm (l x e).

The 1S kit is installed on the wall of the support construction and was fixed to it by six screws \varnothing 5 x 70 mm.

7. INSTALLATION OF THE TEST SPECIMENS

The classification obtained for a standard installation in the different construction elements and their respective sealing remains valid for dampers installed with an axis angle from horizontal up to 45°, with a minimal spacing:

- of 30 mm between fire dampers installed in separate ducts;
- of 30 mm between the fire damper and a construction element (wall or floor).

Sealing between dampers, or between a single damper and supporting structure (wall or floor) is provided by a maximum of eight layers (3 layers on each side of the wall and 2 layers in the opening) of stone wool of total width 400 mm (stone wool having the following characteristics: layer thickness 50 mm, density 150 kg/m³, thermal conductivity $\lambda = 0.041$ W/mK at 50 ° C, water vapour absorption 0.02%, Euroclass A1).

7.1. INSTALLATION IN A 110 MM-THICK REINFORCED CONCRETE WALL

The fire damper is installed in feed-through in a 110 mm-thick reinforced concrete wall with a density of 2200 kg/m³.

The fire damper is positioned in an opening with dimensions ($\varnothing + 80$) mm. The fire damper is then sealed with standard mortar or plaster.

It can be positioned with a horizontally- or vertically-mounted blade.

7.2. INSTALLATION IN A 100 MM-THICK CELLULAR CONCRETE WALL

The fire damper is installed in feed-through in a 100 mm-thick cellular concrete wall with a density of 550 kg/m³.

The fire damper is positioned in an opening with dimensions ($\varnothing + 80$) mm. The fire damper is then sealed with standard mortar or gypsum.

It can be positioned with a horizontally- or vertically-mounted blade.

7.3. INSTALLATION IN A 200 MM-THICK AERATED CONCRETE WALL

The fire damper is installed in feed-through in a 200 mm-thick aerated concrete wall with a density of 450 kg/m³.

The fire damper is positioned in an opening with dimensions ($\varnothing + 80$) mm. The fire damper is then sealed with standard mortar or gypsum.

It can be positioned with a horizontally- or vertically-mounted blade.

7.4. INSTALLATION IN A 100 MM-THICK CELLULAR CONCRETE FLOOR

The fire damper is installed in feed-through in a 100 mm-thick cellular concrete floor with a density of 650 kg/m³.

7.5. THE FIRE DAMPER IS POSITIONED IN AN OPENING WITH DIMENSIONS ($\varnothing + 80$) MM. THE FIRE DAMPER IS THEN SEALED WITH STANDARD MORTAR. INSTALLATION IN A 150 MM-THICK REINFORCED CONCRETE FLOOR

The fire damper is installed in feed-through in a 150 mm-thick reinforced concrete floor with a density of 2200 kg/m³.

The fire damper is positioned in an opening with dimensions ($\varnothing + 80$) mm. The fire damper is then sealed with standard mortar.

7.6. INSTALLATION IN A 70 MM-THICK GYPSUM BLOC WALL

The partition is made using a precast plasterboard tile assembly with dimensions 660 x 400 x 70 mm (w x h x th.) and a density of 850 kg/m³. The tiles are put together using tile adhesive.

The tiles are installed using offset joints, with a half tile offset from one row to another. The joints thickness is approximately 2 mm.

For each fire damper, an opening dimensions ($\varnothing + 80$) mm is made in the partition by cutting away the plaster tiles.

On both the fire side and side away from fire, the gap between the damper tunnel and the cut-out is plugged with plaster tile adhesive.

7.7. INSTALLATION IN A PLASTERBOARD (GYPSUM) PARTITION

7.7.1. Partition

The fire dampers are installed in a "D 98/48" partition.

This partition is made using a metal framework fitted with double-layer facings of type A or F paper-backed gypsum plasterboard (EN520); the partition has an overall thickness of 98 mm, with an internal cavity of 48 mm filled with stone wool.

7.7.2. Outer framework

The outer framework is made using 6/10 mm-thick galvanised steel MSH 50 rails, fixed to the concrete support frame with steel screws \varnothing 6 mm and plugs \varnothing 6 mm, spaced at intervals of 800 mm.

7.7.3. Central framework

The framework of the partition is made using single, 6/10 mm-thick galvanised steel MSV 50 studs, slotted into the upper and lower rails and screwed to the base with a centre-to-centre distance of 600 mm. A thermal expansion gap of approximately 5 mm is left at the top of each stud.

7.7.4. Header joist

A header joist designed to accept passage of the fire damper is made using MSV 50 studs and MSH 50 rails.

The header joist is made of:

Two studs (A) added to the central framework of the partition at ($\varnothing + 50$) mm [or ($\varnothing + 80$) mm, for plaster sealing] acting as supporting uprights to carry the weight of the damper;
An R 48 (B) horizontal rail, cut and bent, and installed perpendicular to the additional studs at the top and bottom and separated by ($\varnothing + 50$) mm [or ($\varnothing + 80$) mm, for plaster sealing].

The various elements are fixed together using screws (\varnothing 3.5 mm).

The fire damper can be positioned with a horizontally- or vertically-mounted blade.

7.7.5. Facings

Solution 1:

The partition is made using 12.5 mm-thick BPB GYPROC ABA-type plasterboards with a density of 708 kg/m³.

The plasterboard is installed with the vertical joints of one facing offset in relation to the other within the same facing and also between the inner surfaces of both facings.

The vertical joints of the plasterboards are aligned with the studs. The plasterboards are fixed to the framework with 212/25-type self-drilling screws spaced at intervals of 500 mm for the first layer and 212/35-type screws at intervals of 300 mm for the second layer.

The visible joints between the plasterboards and return angles and the concrete structure are treated with JOINTFILLER coating + sealing tape. The screw heads are also covered with the same coating.

The cavity between the plasterboards is filled with ROCKFIT 431-type stone wool with a density of 33 kg/m³.

Solution 2:

This double facing can be replaced by 1 x BA 25 single-layer facing.

The facings are made using a single layer of BA 25 plasterboard. The plasterboards have a maximum width of 600 mm.

The plasterboards are fixed onto all of the steel sheet studs using TTPC 35 screws spaced at average intervals of 250 mm.

The joints between the plasterboards are treated with plaster coating, into which a 52 mm-wide strip of micro-perforated jointing tape is smoothed.

The return angles and screw heads are treated with plaster coating.

The space between the fire damper tunnel and the wall is approximately 30 mm. A plasterboard stub, with a density of 750 kg/m³, thickness of 25 mm and width of 100 mm, fixed around the entire periphery of the fire damper, is fixed to the wall every 250 mm using self-drilling, steel M6 screws above this space.

This stub is of the same type as the facing. However, it may be replaced by a 12.5 mm-thick stub as initially described in the reference procès-verbaux.

The cavity between the two stubs and between the fire damper and the wall is filled with stone wool with a density of 40 kg/m³.

Solution 3:

This double facing can be replaced by a double facing of type 2 x BA 13 type F.

The facings are made using a double layer of BA 13 plasterboard. The plasterboards have a maximum width of 600 mm.

The plasterboards are fixed onto all of the steel sheet studs using TTPC 35 screws spaced at average intervals of 250 mm.

The joints between the plasterboards are treated with plaster coating, into which a 52 mm-wide strip of micro-perforated jointing tape is smoothed.

The return angles and screw heads are treated with plaster coating.

7.7.6. Sealing around the fire damper

Solution 1:

The space between the fire damper tunnel and the wall is approximately 30 mm. A plasterboard stub, with a density of 750 kg/m³, thickness of 12.5 mm and width of 100 mm, of the same type as the facing and fixed around the entire periphery of the fire damper, is fixed to the wall every 250 mm using self-drilling, steel M6 screws above this space.

The space between the two stubs and between the fire damper and the wall is filled with stone wool with a density of 40 kg/m³.

All the joints between the plasterboard are covered with BPB GYPROC Jointfiller 45-type filler.

The screws are also covered with the same type of coating.

Solution 2:

On both the fire side and side away from fire, the gap between the damper tunnel and the cut-out is plugged with standard plaster.

7.8. INSTALLATION OF OFFSET FIRE DAMPERS

The fire dampers described above may also be offset using an identical supporting construction to those described in sections 6.1, 6.2 and 6.7 of this document.

- **For the offset installation of a cellular concrete wall with a sheet metal duct and protected by panels of GEOFLAM 45, GEOFLAM F LIGHT 35:**

The CR120 fire damper is installed offset, inside or outside the furnace, on a galvanised steel sheet through duct.

The length of this duct is not specified. If the length of the duct exceeds 1 m, support will be implemented as described below at 1 m intervals together with additional support for the damper.

The fire damper is fixed to the duct using four screws (\varnothing 4.2 x 13 mm).

- Protection of the duct and fire damper:

GEOFLAM 45:

The service duct is protected by a rectangular duct made of fibrous plaster panels, reference GEOFLAM F and 45 mm thick, assembled together around the duct using Placol 2h (PLACO) adhesive. This is only done for the duct located inside the furnace (the part located outside the furnace is not protected). The GEOFLAM F fibrous plaster protection is introduced between the fire damper and the wall. It stops 20 mm from the wall. The free space between the wall and fibrous plaster protection is filled by stuffing with caulking (mixture of plaster and fibre). The plaster used is reference Molda® Duo (PLACO SAINT GOBAIN). The outer cross-section dimensions of this duct are $(\varnothing + 125) \times (\varnothing + 125)$ mm (w x h).

The fire damper casing is therefore also protected over a length of 171 mm.

The joints between the panels are treated with caulking (mixture of plaster and fibrous material) inside the fibrous plaster protection. The plaster used is reference Molda® Duo (PLACO SAINT GOBAIN).

GEOFLAM F LIGHT 35:

The through duct comprises fibrous plasterboard panels of 35 mm thick Geoflam F LIGHT fixed together with glue and caulking. The damper body is also protected over a length of 120 mm. The GEOFLAM F LIGHT fibrous plaster protection is introduced between the fire damper and the wall. It stops 15 mm from the wall. The free space between the wall and fibrous plaster protection is filled by stuffing with caulking (mixture of plaster and fibre).

- Sealing:

The opening, with dimensions $(\varnothing + 80) \times (\varnothing + 80)$ mm and made in the cellular concrete wall (th. 100 mm), is filled with mortar, thus enabling the duct to be sealed. The mortar used consists of sand, water and cement reference CEM II / B-V-32.5N manufactured by CBR-Heidelberg.

- Duct support system:

The fibrous plaster protection is supported by two rows of hangers 1000 mm apart. The first hanger is fixed 580 mm from the cellular concrete wall. The hangers are composed of 8 mm diameter threaded rods and 2 mm-thick U-shaped steel supporting rails with dimensions of 25 x 25 x 2 mm and 510 mm long. A distance of approximately 25 mm is kept between the threaded rods and the vertical sides of the duct.

The threaded rods are protected by fibrous plaster half-shells (\varnothing 90 mm) fixed together using adhesive and caulking.

The crossmember is protected with a "U"-shaped protective section in plaster (100 x 60 mm), glued to the underside of the duct with PLACOL (PLACO SAINT-GOBAIN) or GEOCOL (GEOSTAFF) adhesive plaster.

- **For the offset installation of a cellular concrete wall with a duct in panels of GEOFLAM 45, GEOFLAM F LIGHT 35:**

The CR120 fire damper is installed offset, inside or outside the furnace, on a through duct made of panels of GEOFLAM F 45, GEOFLAM F LIGHT 35.

The length of this duct is not specified. If the length of the duct exceeds 1 m, support will be implemented as described below at 1 m intervals together with additional support for the damper.

- Protection of the duct and fire damper:

GEOFLAM 45:

The through duct is composed of 45 mm-thick fibrous plaster panels, reference GEOFLAM F, fixed together using Placol 2H adhesive. The fire damper casing is therefore also protected over a length of 171 mm. The GEOFLAM F fibrous plaster protection is introduced between the fire damper and the wall. It stops 20 mm from the wall. The free space between the wall and fibrous plaster protection is filled by stuffing with caulking (mixture of plaster and fibre). The plaster used is reference Molda® Duo (PLACO SAINT GOBAIN).

GEOFLAM F LIGHT 35:

The through duct comprises fibrous plasterboard panels of 35 mm thick Geoflam F LIGHT fixed together with glue and caulking. The damper body is also protected over a length of 120 mm. The GEOFLAM F LIGHT or GEOTEC S fibrous plaster protection is introduced between the fire damper and the wall. It stops 15 mm from the wall. The free space between the wall and fibrous plaster protection is filled by stuffing with caulking (mixture of plaster and fibre).

- Sealing:

The opening, with dimensions $(\varnothing + 80) \times (\varnothing + 80)$ mm and made in the cellular concrete wall (th. 100 mm) is filled with standard mortar (reference CEM II/B-V-32,5N produced by CBR-Heidelberg).

- Duct support system:

The fibrous plaster protection is supported by two rows of hangers 1000 mm apart. The first hanger is fixed 580 mm from the cellular concrete wall. The hangers are composed of 8 mm diameter threaded rods and 2 mm-thick U-shaped steel supporting rails with dimensions of 25 x 25 x 2 mm and 510 mm long. A distance of approximately 25 mm is kept between the threaded rods and the vertical sides of the duct.

The threaded rods are protected by fibrous plaster half-shells (\varnothing 90 mm) fixed together using adhesive and caulking.

The crossmember is protected with a "U"-shaped protective section in plaster (100 x 60 mm), glued to the underside of the duct with PLACOL (PLACO SAINT-GOBAIN) or GEOCOL (GEOSTAFF) adhesive plaster.

- **For the offset installation of a cellular concrete wall or a gypsum plasterboard partition using a duct in sheet metal and protected by panels of stone wool for EI 90 performance:**

The CR120 fire damper is installed offset, inside or outside the furnace, on a 5/10 mm-thick galvanised steel sheet through duct.

The length of this duct is not specified. If the duct length is greater than 1500 mm, a supporting system will be implemented as described below, at intervals of 1500 mm, as well as additional support (collar) for the fire damper.

The fire damper is fixed to the duct using four screws (\varnothing 4.2 x 13 mm).
See drawings in the appendix.

- Protection of the duct and fire damper with a double thickness of Promastop CB or Promastop CB-CC 50 or HILTI-CFS-CT_B_1s:

The through duct is covered with a double layer composed of 50 mm-thick Promastop CB or Promastop CB-CC 50 or HILTI-CFS-CT_B_1s stone wool panels fixed to the duct using screws (\varnothing 5 x 120 mm) and washers (M6 x 44).

The fire damper casing is therefore also protected over a length of 171 mm.

The outer cross-section dimensions of this duct are $(\varnothing + 200) \times (\varnothing + 200)$ mm (w x h).

The joints between the panels, the screws and the support washers are covered with a coating of:

- Promastop E for Promastop CB
- Promastop CC for Promastop CB-CC
- Hilti CFS-S ACR for Hilti CFS-CT B

- Sealing:

Cellular concrete or plasterboard wall:

The opening $(\varnothing + 600) \times (\varnothing + 600)$ mm formed through the 100 mm thick cellular concrete wall or 100 mm thick plasterboard wall is filled by two thicknesses of 50 mm thick stone wool panels of type Promastop CB or Promastop CB-CC 50 or HILTI-CFS-CT_B_1s coated on one face with:

- Promastop E for Promastop CB,
- Promastop CC for Promastop CB-CC,
- Hilti CFS-S ACR for Hilti CFS-CT B,

Coating

- Promastop E for Promastop CB,
- Promastop CC for Promastop CB-CC,
- Hilti CFS-S ACR for Hilti CFS-CT B,

is also applied to the joints between the stone wool panels and on the joints between the stone wool panels and the supporting construction.

Cellular concrete wall only:

The opening, with dimensions $(\varnothing + 80) \times (\varnothing + 80)$ mm and made in the cellular concrete wall (100 mm thick) is filled with standard mortar (reference CEM II/B-V-32.5N manufactured by CBR-Heidelberg) allowing the duct to be sealed.

- Duct support system:

The protection is supported by two rows of hangers 1000 mm apart. The first hanger is fixed 580 mm from the wall.

The hangers are composed of 10 mm diameter threaded rods and supporting rails with dimensions of 50 x 50 x 3 mm and 670 mm long. A distance of approximately 25 mm is kept between the threaded rods and the vertical sides of the of the stone wool enclosure.

The threaded rods and the rail are not protected.

7.9. INSTALLATION OF FIRE DAMPERS IN A FLEXIBLE PARTITION WALL WITH A MORTAR SEAL

7.9.1. Flexible partition wall

The flexible wall consists of U and C profiles (width : 50 mm) which are covered by two layers of gypsum boards (brand and type : KNAUF DF – thickness 12.5 mm – density : 846.67 kg/m³) on both sides. The vertical joints are staggered between the layers of gypsum boards. The flexible wall is insulated with ROCKWOOL ROCKSONO EXTRA with thickness 40 mm and density 40 kg/m³.

The dimensions of the installation opening in the partition wall are 415 x 415 mm. Around the installation opening, a metal frame of U and C profiles is provided.

7.9.2. Penetration seal

The damper is sealed into the opening of the flexible partition wall with mortar (brand and type : HOLCIM CLASSIC CEM II/B-M 32.5N – density : 3100 kg/m³). The composition of the mortar is 3 units sandy clay, 1 unit cement and water.

The fire damper is mounted with the actuator at the unexposed or exposed side indifferently.

The axis of the damper is positioned vertically or horizontally.

8. FIRE RESISTANCE CLASSIFICATIONS

8.1. CLASSIFICATION REFERENCE

This classification procedure was conducted in accordance with section 7.2.4 of the standard EN 13501-4.

8.2. CLASSIFICATIONS

The elements are classified in accordance with the following combinations of performance parameters and classes.

The dimensional range covered by the performances stated below is from Ø 100 mm to Ø 315 mm, except for installation in 98/48-type plasterboard panel partitions, where the dimensions are from Ø 100 mm to Ø 250 mm.

No other classification is authorised.

For fire dampers built into a cellular concrete wall 100 mm minimum, sealing gypsum:

Fire dampers dimensions are between Ø 100 mm and Ø 315 mm.

E	l		t		ve	-	ho	-	i	↔	o	-	S
E	l		120		ve	-		-	i	↔	o	-	S

For fire dampers built into a cellular concrete wall 200 mm minimum, bulk density 450 kg/m³, sealing gypsum:

Fire dampers dimensions are between Ø 100 mm and Ø 315 mm.

E	l		t		ve	-	ho	-	i	↔	o	-	S
E	l		120		ve	-		-	i	↔	o	-	S

For fire dampers built into a flexible partition wall type F 100 mm thick minimum, sealing mortar:

Fire dampers dimensions are between Ø 100 mm and Ø 315 mm and pressure -300 Pa.

E	l		t		ve	-	ho	-	i	↔	o	-	S
E	l		120		ve	-		-	i	↔	o	-	S

For fire dampers built into a cellular concrete wall 100 mm minimum, sealing mortar:

Fire dampers dimensions are between Ø 100 mm and Ø 250 mm.

E	l		t		ve	-	ho	-	i	↔	o	-	S
E	l		120		ve	-		-	i	↔	o	-	S

For fire dampers built into a cellular concrete wall 200 mm minimum, bulk density 450 kg/m³, sealing mortar:

Fire dampers dimensions are between Ø 100 mm and Ø 250 mm.

E	l		t		ve	-	ho	-	i	↔	o	-	S
E	l		120		ve	-		-	i	↔	o	-	S

For fire dampers built into a cellular concrete wall 100 mm minimum, sealing mortar:

Fire dampers dimensions are between Ø 250 mm and Ø 315 mm.

E	l		t		ve	-	ho	-	i	↔	o	-	S
E	l		90		ve	-		-	i	↔	o	-	S

For fire dampers built into a cellular concrete wall 200 mm minimum, bulk density 450 kg/m³, sealing mortar:

Fire dampers dimensions are between Ø 250 mm and Ø 315 mm.

E	l		t		ve	-	ho	-	i	↔	o	-	S
E	l		90		ve	-		-	i	↔	o	-	S

For fire dampers built into a reinforced concrete wall 110 mm minimum:

Fire dampers dimensions are between Ø 100 mm and Ø 315 mm.

E	l		t		ve	-	ho	-	i	↔	o	-	S
E	l		120		ve	-		-	i	↔	o	-	S

For fire dampers built into a reinforced concrete floor 150 mm minimum:

Fire dampers dimensions are between Ø 100 mm and Ø 315 mm.

E	l		t		ve	-	ho	-	i	↔	o	-	S
E	l		120			-	ho	-	i	↔	o	-	S

For fire dampers built into a cellular concrete floor 100 mm minimum:

Fire dampers dimensions are between Ø 100 mm and Ø 315 mm.

E	l		t		ve	-	ho	-	i	↔	o	-	S
E	l		90			-	ho	-	i	↔	o	-	S

For fire dampers installed in paper-backed plasterboard panel partitions type A acc. EN520 min. 100 mm (sealing with stone wool or plaster):

Fire dampers dimensions are between Ø 100 mm and Ø 250 mm.

E	l		t		ve	-	ho	-	i	↔	o	-	S
E	l		60		ve	-		-	i	↔	o	-	S

For CR120 fire dampers installed in plasterboard panel partitions, type F acc. EN250 (with stubs) min. 100 mm, sealing gypsum:

Fire dampers dimensions are between Ø 100 mm and Ø 315 mm.

E	l		t		ve	-	ho	-	i	↔	o	-	S
E	l		90		ve	-		-	i	↔	o	-	S

For CR120 fire dampers installed in gypsum blocs wall of min. 70 mm thickness:

Fire dampers dimensions are between Ø 100 mm and Ø 315 mm.

E	l		t		ve	-	ho	-	i	↔	o	-	S
E	l		120		ve	-		-	i	↔	o	-	S

For the approval of offset fire dampers using a sheet metal duct protected by stone wool:

The maximum approved operating vacuum pressure in this case is -300Pa.

Where seal is made using panels of PROMASTOP CB or Promastop CB-CC 50 or HILTI-CFS-CT_B_1s with th = 2 x 50 mm

E	I	-	t		ve	ho	i	<->	o	S
E	I		90		Ve		i	<->	o	S

For the approval of offset fire dampers using a sheet metal duct protected by panels of GEOFLAM F 45, GEOFLAM F LIGHT th = 35 mm:

The maximum approved operating vacuum pressure in this case is -500Pa.

E	I	-	t		ve	ho	i	<->	o	S
E	I		120		Ve		i	<->	o	S

For the approval of offset fire dampers using a duct in panels of GEOFLAM F 45, GEOFLAM F LIGHT th = 35 mm:

The maximum approved operating vacuum pressure in this case is -500Pa.

E	I	-	t		ve	ho	i	<->	o	S
E	I		120		ve		i	<->	o	S

8.2.1. With kit / option 1S

- For dampers CR120 with kit / option 1S installed in:
 - partitions 100 mm thick in plasterboard type F (EN 520)

Dimensions of the dampers are between Ø 100 mm and Ø 315 mm.

E	I		t		ve	-	ho	-	i	↔	o	-	S
E	I		120		ve	-		-	i	↔	o	-	S

- For dampers CR120 with kit / option 1S installed in a cellular concrete wall 100 mm thick:

Dimensions of the dampers are between Ø 100 mm and Ø 315 mm.

E	I		t		ve	-	ho	-	i	↔	o	-	S
E	I		120		ve	-		-	i	↔	o	-	S

- For dampers CR120 with kit / option 1S installed in a cellular concrete wall ≥ 200 mm-thick with a bulk density of 450 kg/m³:

Dimensions of the dampers are between Ø 100 mm and Ø 315 mm.

E	I		t		ve	-	ho	-	i	↔	o	-	S
E	I		120		ve	-		-	i	↔	o	-	S

- For dampers CR120 with kit / option 1S installed in a cellular concrete slab 100 mm thick:

Dimensions of the dampers are between Ø 100 mm and Ø 315 mm.

E	l		t		ve	-	ho	-	i	↔	o	-	S
E	l		120			-	ho	-	i	↔	o	-	S

The above performances of the elements are valid for heating as described in section 5.1.1 of the European standard EN 1363-1.

9. SCOPE OF APPLICATION OF THE RESULTS

9.1. GENERAL POINTS

The requirements related to the scope of application of all the fire dampers tested in accordance with EN 1366-2 apply, as well as the following items.

9.2. DIMENSIONS OF THE FIRE DAMPER

In accordance with section 13.1 of the standard EN 1366-2, the classifications indicated in section 8.2 of this classification report are valid for all fire dampers of the same type (including all the side reports), provided the maximum flow cross-section dimensions do not exceed Ø 315 mm and that the minimum flow cross-section dimensions are not less than Ø 100 mm.

9.3. FIRE DAMPERS INSTALLED WITHIN STRUCTURAL OPENING

A test result obtained for a fire damper installed within a structural opening is only applicable to fire dampers of the same type installed in the same orientation and position in relation to the supporting construction as that tested.

9.4. FIRE DAMPERS REMOTE FROM A WALL OR FLOOR

A test result obtained for a fire damper remote from a wall or floor is applicable to fire dampers of the same type installed with the same ductwork details as tested:

- a) Mounted remote from a wall and attached to a length of a horizontal fire resisting ductwork when tested remote from a wall.
- b) Mounted remote from a floor and attached to a length of vertical fire resisting ductwork on the side above the floor when tested above the floor.
- c) Mounted remote from a floor and attached to a length of vertical fire resisting ductwork on the side below the floor when tested below the floor.
- d) Mounted up to the same distance that was tested from the wall/floor and up to the same width and height of duct tested.

A test result obtained with the duct passing through a standard supporting construction is applicable to a supporting construction with a fire resistance equal to or greater than that of the standard supporting construction used for the test (thicker, denser, more layers of board, as appropriate).

Test results obtained with duct passing through flexible vertical supporting constructions may be applied to rigid supporting constructions of a thickness equal to or greater than that of the element used in the tests, provided that the classified fire resistance of the rigid supporting construction is greater than or equal to the one used for the test.

9.5. FIRE FROM ABOVE

Fire dampers tested horizontally in floors with fire from below are acceptable in installations where fire might come from above.

9.6. SEPARATION BETWEEN FIRE DAMPERS AND BETWEEN FIRE DAMPERS AND CONSTRUCTION ELEMENTS

In accordance with section 13.5 of the standard EN 1366-2, the fire classifications indicated in section 8.2 of this classification report apply, in practice, with a minimum spacing:

- a) of 30 mm between fire dampers installed in separate ducts;
- b) of 30 mm between the fire damper and a construction element (wall or boards).

9.7. SUPPORTING CONSTRUCTIONS

A test obtained for a fire damper mounted in or on the face of a standard supporting construction is applicable to a supporting construction of the same type with a fire resistance equal to or greater than that of the standard supporting construction used in the test (thicker, denser, more layers of boards, as appropriate).

The test result can also apply to cellular or hollow masonry blocks or slabs that have a fire resistance time equal or greater than the fire resistance required for the fire damper installation.

Test results obtained with dampers installed in flexible vertical supporting constructions may be applied to rigid supporting constructions of a thickness equal to or greater than that of the element used in the tests, provided that the classified fire resistance of the rigid supporting construction is greater than or equal to the one used for the test. The sealants used shall be the same as those tested. Any fasteners used shall be fire rated to suit the supporting construction that is used.

Test results obtained with dampers installed in insulated flexible vertical supporting constructions may be applied to applications where the same flexible vertical supporting construction is uninsulated - aperture framing shall be used using the same materials as used in the test partition construction, using the same number of boards as was tested.

Test results obtained with dampers installed in flexible vertical supporting constructions made with steel studs are not applicable to flexible vertical supporting constructions made using timber studs.

Test results obtained with dampers installed in aerated concrete are applicable to rigid constructions made from hollow blocks, provided that the holes are filled/closed before the addition of the final penetration seal.

If a specific supporting construction different from those described in standard EN 1366-2 – paragraph 7.2 is selected, the test results obtained are applicable only to that specific wall, partition or floor having a thickness and/or density equal or greater than that tested.

9.8. BLADE PIVOT AXIS

Tests with the actuator mounted at the bottom of the fire damper for a test with the blades with a vertical pivot axis shall allow the damper to be installed with the actuator at the top of the unit.

Maizières-lès-Metz, 13 September 2021

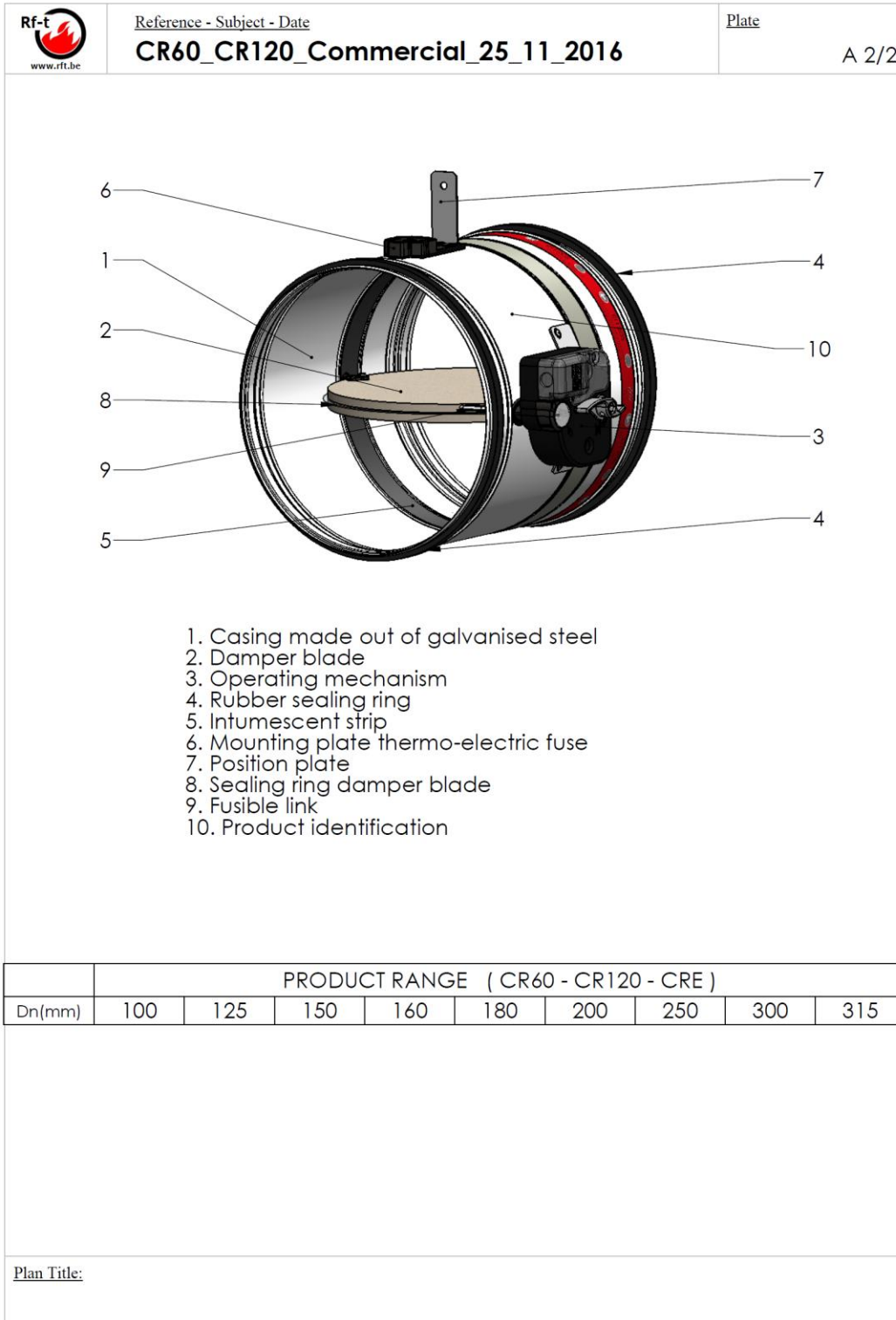
X 
Amélie BRUNON


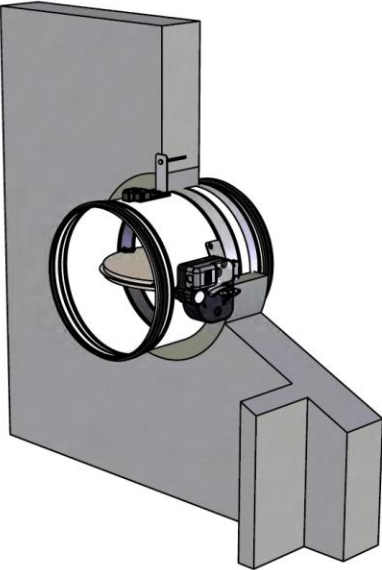
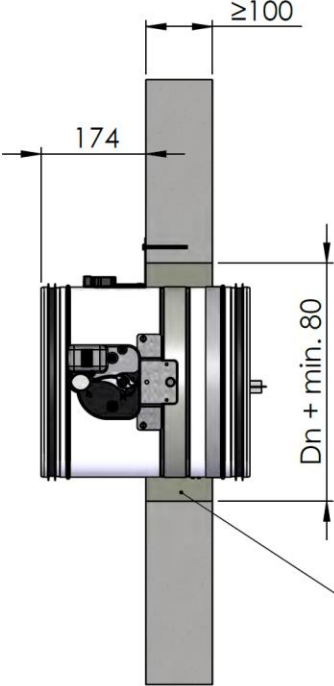
Project Leader
Signé par : Amélie Brunon


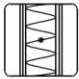
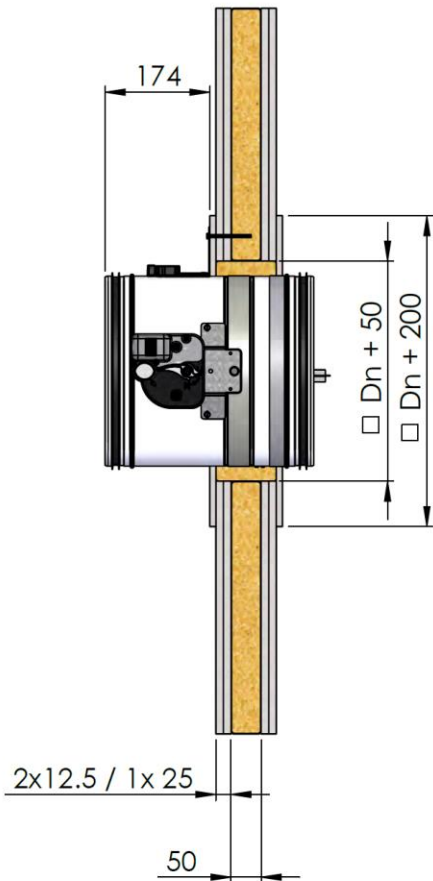
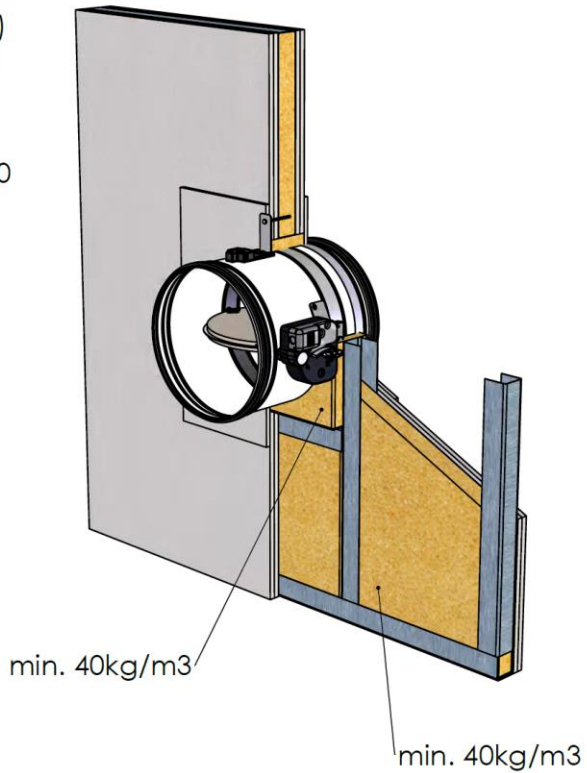
X 
Romain
STOUVENOT


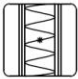
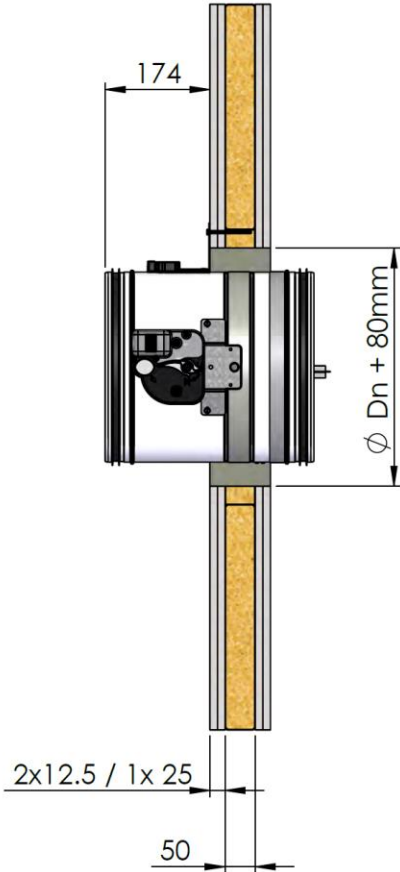
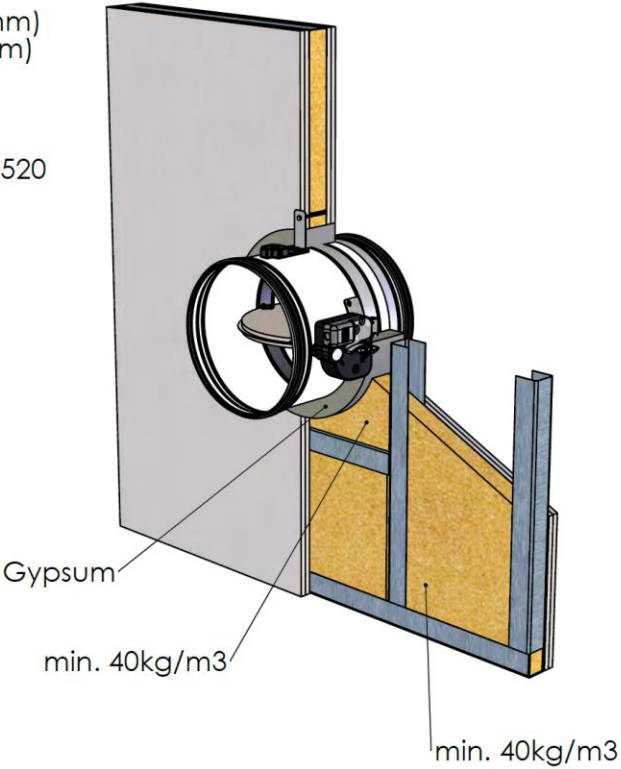
Supervisor
Signé par : Romain STOUVENOT



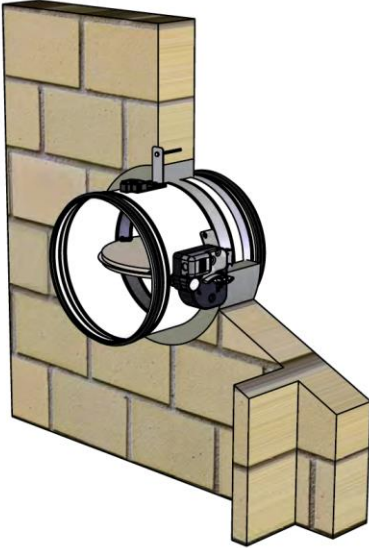
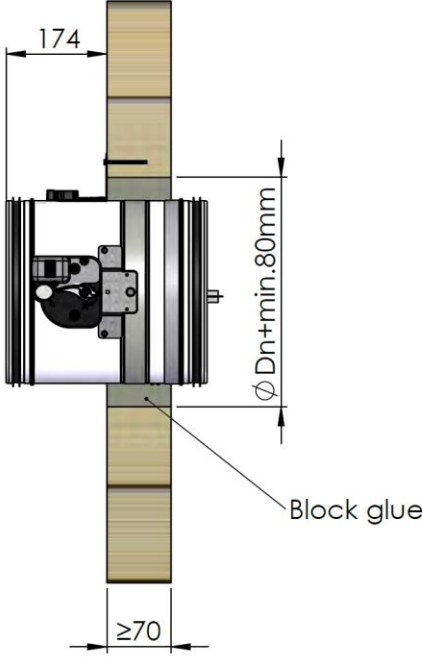
APPENDIX: FIGURES

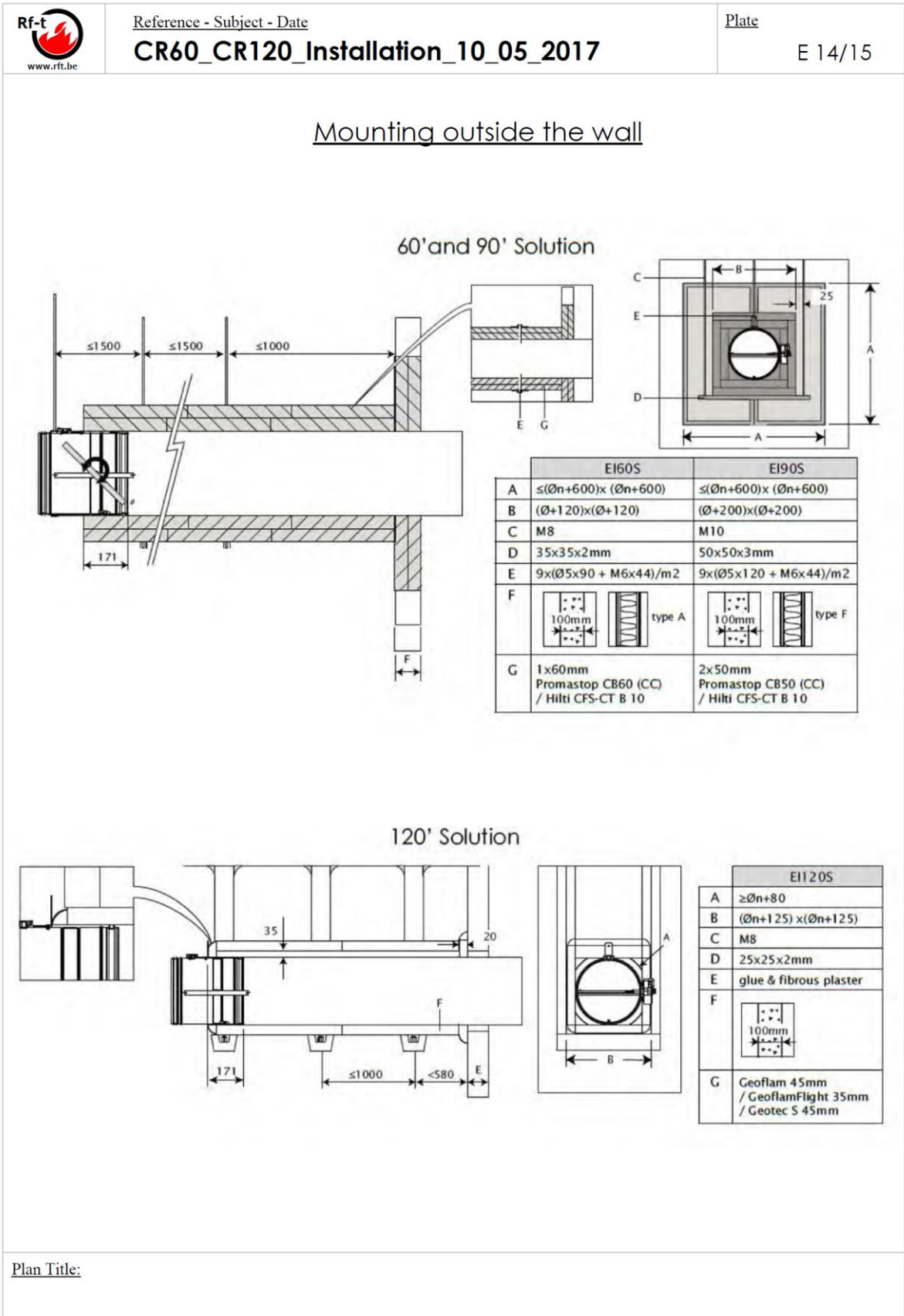


 www.rf.t.be	Reference - Subject - Date CR60_CR120_Installation_10_05_2017	Plate E 2/15
<p><u>Rigid wall and floor</u></p> <div style="display: flex; align-items: center; margin-bottom: 20px;"> <div style="display: flex; gap: 10px;"> <div style="border: 1px solid black; width: 20px; height: 20px; background: repeating-linear-gradient(45deg, transparent, transparent 2px, black 2px, black 4px);"></div> <div style="border: 1px solid black; width: 20px; height: 20px; background: repeating-linear-gradient(-45deg, transparent, transparent 2px, black 2px, black 4px);"></div> </div> <div style="margin-left: 20px;">90°/120°</div> </div> <div style="display: flex; justify-content: space-around;"> <div style="text-align: center;">  </div> <div style="text-align: center;">  <p style="margin-top: 10px;">Mortar (floor) Mortar/Gypsum (wall)</p> </div> </div>		
<p><u>Plan Title:</u></p>		

 www.rf.t.be	<u>Reference - Subject - Date</u> CR60_CR120_Installation_10_05_2017	<u>Plate</u> E 3/15
<p><u>Flexible wall - Metal stud gypsum plasterboard wall</u></p>		
	<p>type A 60' (ϕ 100-250mm) type F 90' (ϕ 100-250mm)</p>	
<p>Gypsum wall type A/F acc EN 520</p>		
		
<p><u>Plan Title:</u></p>		

 www.rf.t.be	Reference - Subject - Date CR60_CR120_Installation_10_05_2017	Plate E 5/15
<p>Flexible wall - Metal stud gypsum plasterboard wall</p>		
	type A 60' (ϕ 100-315mm) type F 90' (ϕ 100-315mm)	
<p>Gypsum wall type A/F acc EN 520</p>		
		
<p>Plan Title:</p>		

 <small>www.rf-t.be</small>	<p>Reference - Subject - Date CR60_CR120_Installation_10_05_2017</p>	<p>Plate E 6/15</p>
<p><u>Gypsum block wall</u></p> <div style="display: flex; align-items: flex-start;"> <div style="margin-right: 20px;">  <p>120'</p> </div> <div style="flex-grow: 1;">  </div> </div> <div style="margin-top: 20px;">  </div>		
<p>Plan Title:</p>		

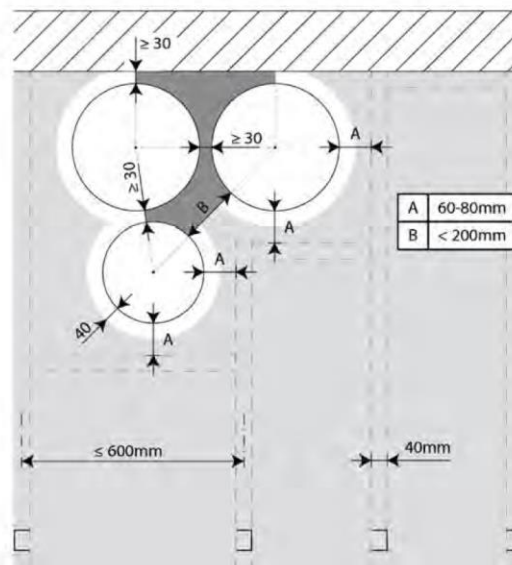




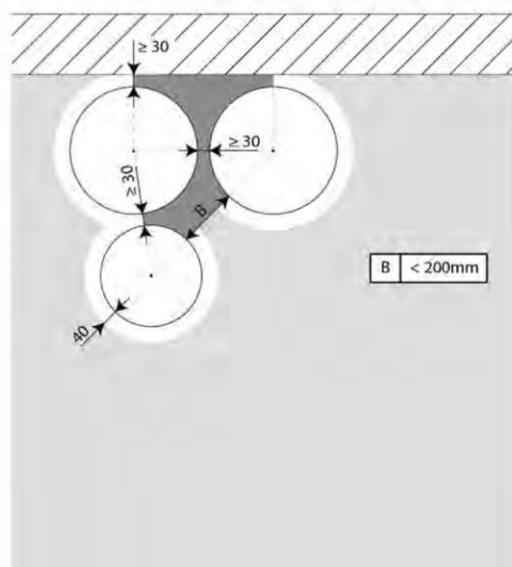
Reference - Subject - Date
CR60_CR120_Installation_10_05_2017

Plate
 E 15/15

Mounting flexible wall at 0 distance



Mounting rigid wall at 0 distance



Plan Title: